

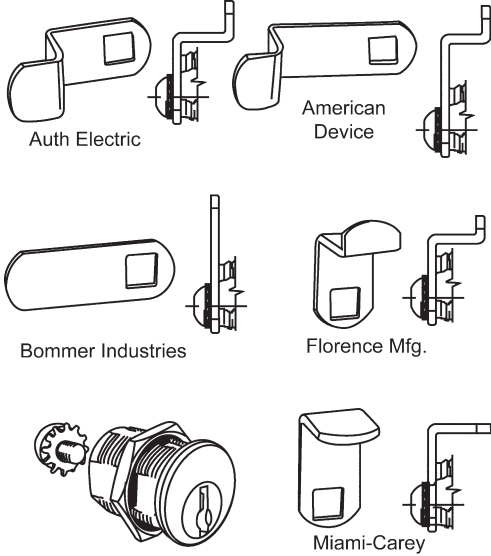
# Mail Box Locks

## Multi-Cam Mail Box Lock Kits

### 97-16

For Interior Mail Boxes  
Bright Nickel Finish

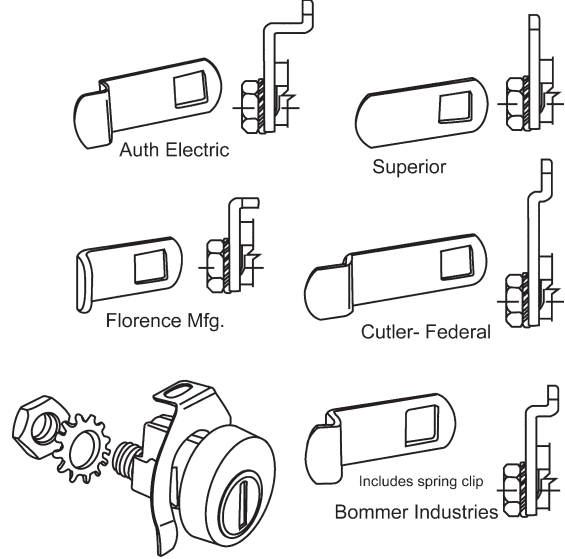
Nut mounted lock meets specifications established by the U.S. Postal Service. Counter clockwise cam turn to open. Furnished with two keys, five different cams shown below, cam screw, mounting nut and instructions. Assemble with cam that matches lock. Keyway NA 12



### 97-17

For Outside Mail Boxes  
Bright Nickel Finish

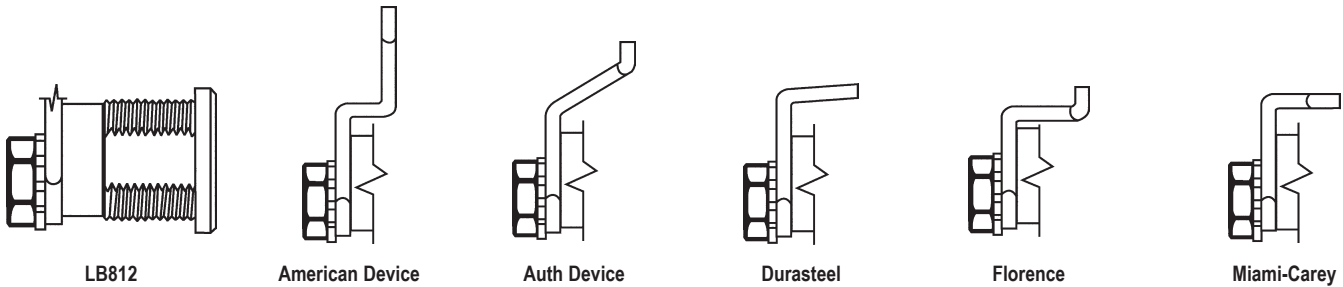
Keyway Dust Shutter protects mechanism from the elements. Lock has dual slots for mounting indoor using spring clip. Clockwise cam turn to open. Furnished with three keys, five different cams shown below, nut, lock washer, spring clip and instructions. Assemble with cam that matches present lock. Keyway NA 14



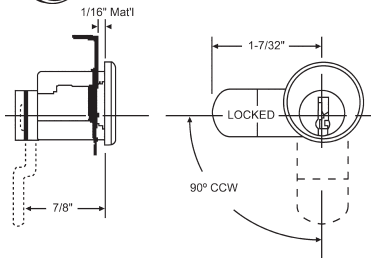
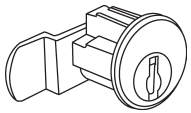
### 97-28

Replacement for Hudson #PT812

Multi-Cam Mail Box Lock Kit a suitable replacement for Hudson #PT812. Hex nut mounted. Meets U.S. Postal Service specifications. 90° CCW cam rotation. Key removable in locked position only. Furnished with 3 keys, 5 cams, and all necessary mounting hardware. Keyway HL 1 - Nickel finish

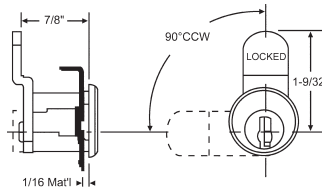
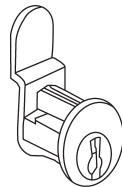


## Fixed Cam Mail Box Locks



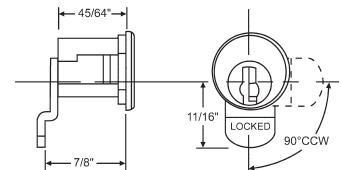
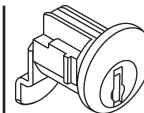
### 97-1

Bommer. Bright Chrome  
Locked Cam Position - Left



### 97-2

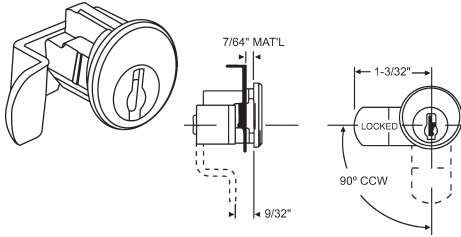
Bommer. Bright Chrome  
Locked Cam Position - Up



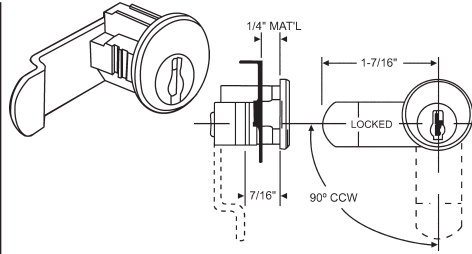
### 97-3

Bommer. Bright Chrome  
Locked Cam Position - Down

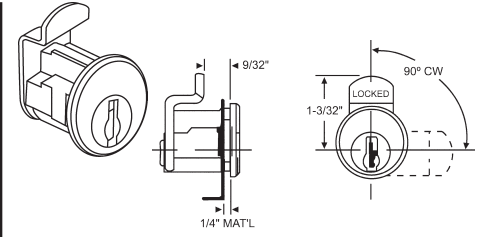
## Fixed Cam Mail Box Locks



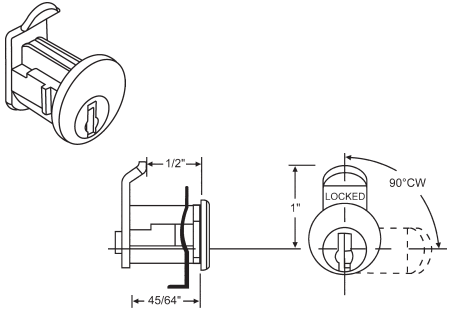
**97-4**  
Auth Electric - Bommer. Bright Nickel.  
Locked Cam Position - Left



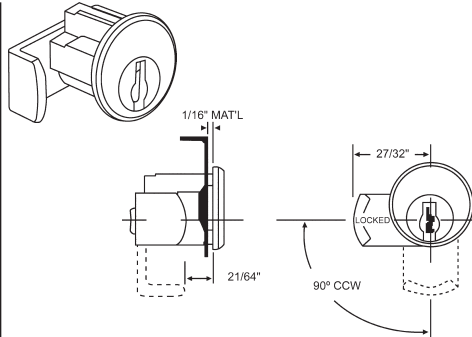
**97-5**  
American Devices. Bright Chrome  
Locked Cam Position - Left



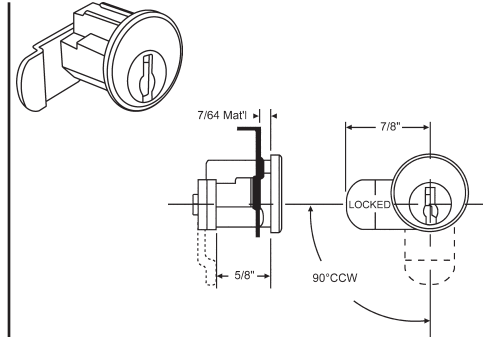
**97-6**  
Florence Mfg. Bright Chrome.  
Locked Cam Position - Up



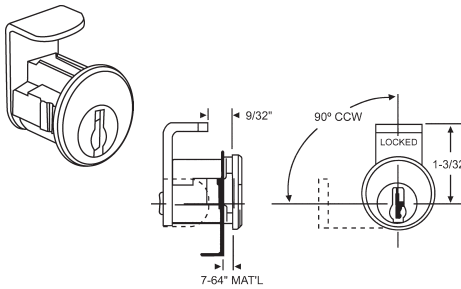
**97-7**  
S.C. Couch. Bright Chrome  
Locked Cam Position - Up



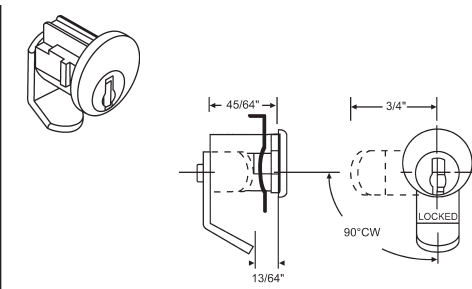
**97-8**  
Nutone. Bright Chrome  
Locked Cam Position - Left



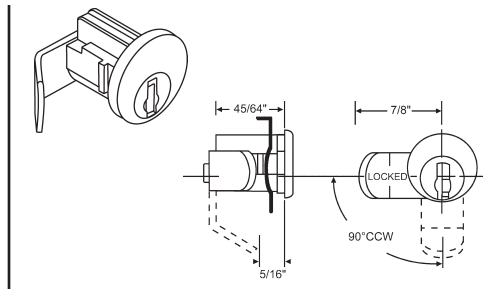
**97-9**  
Cutler Mail Chute. Bright Chrome  
Locked Cam Position - Left



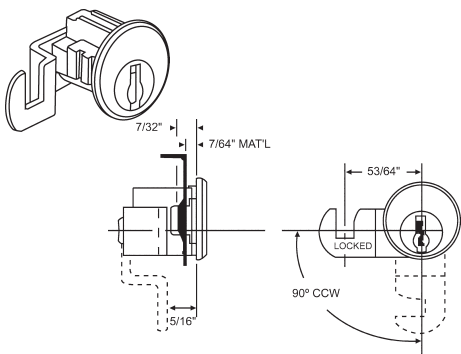
**97-10**  
Miami Carey. Bright Chrome  
Locked Cam Position - Up



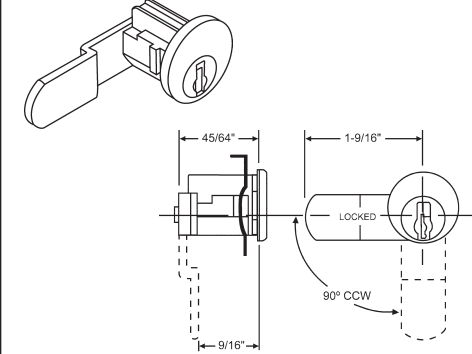
**97-13**  
Dura Steel SL202. Bright Chrome  
Locked Cam Position - Down



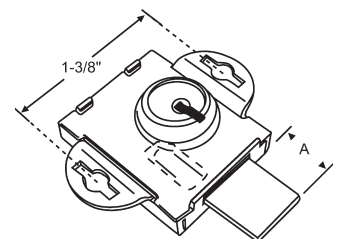
**97-14**  
Jensen General. Bright Chrome  
Locked Cam Position - Left



**97-15**  
Bommer - Hookcam. Bright Chrome  
Locked Cam Position - Left



**97-20**  
Cutler Federal. Bright Chrome  
Locked Cam Position - Down



Part #	"A"
97-18	1/4"
97-19	1/2"

Replaces: Eagle #2616 1/4C, Ilco #4070A  
Fits: Auth, United, Florence. Bright Brass Finish  
Furnished with Two Keys.